

***DLS**
LIGHTING

D288 / D439 HENRY

INPUT: 220-240V ~ 50/60Hz CLASS I

LAMP-HOUSE: LED-27*0.3W

MATERIAL: ALUMINIUM



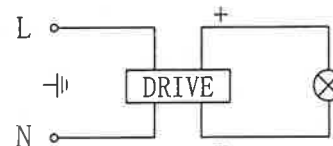
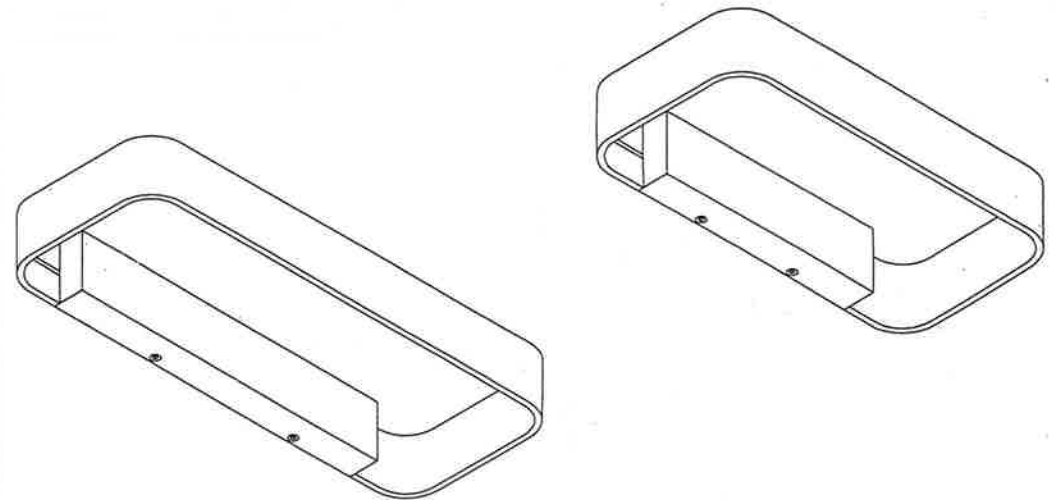
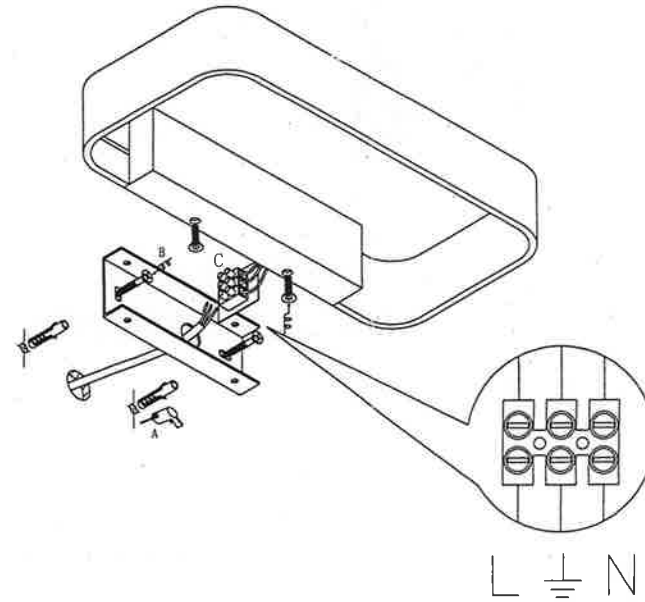
INSTALLATION INSTRUCTION

- Before installing, make sure the power supply is switched off.
- Follow the steps as the figure for installation or replacement of bulb
Step.
 - after holing, pull out the wires.
 - fix the fixture to the wall with screws.
 - connect the wires to the terminal block.
 - fix the cover onto the fixture with screws.
- After finishing every step, tighten the screws, have the fixture fixed, and then connect the power supply.

SAFETY INSTRUCTIONS

- The appliance should be installed, connected and tested by qualified electrician, and in accordance with local regulations.
 - Turn off the power supply before installation or maintenance of the appliance, and make sure that the cables will not be squeezed or damaged by sharp edges.
 - Clean the appliance with a soft cloth and a standard PH neutral detergent. Stainless steel surfaces should be maintained regularly.
 - Misuse of, or changes to the appliance shall nullify the guarantee.
- The manufacturer is free to change the design, specifications and instructions for assembly.

THE APPLIANCE SHOULD NOT BE COVERED BY INSULATION BLANKET OR SIMILAR MATERIALS IN ANY CASE.



! DO NOT TOUCH OR CLEAN THE LED ARRAY!
IN ORDER TO AVOID DAMAGE THE LED CHIP!